



目录 CONTENTS

焊接弯板链

Welded Crank-Link Mill Chains

窄系列焊接弯板链

Narrow Series Welded Crank-Link Mill Chains..... 1-3

窄系列焊接弯板链附件

Narrow Series Welded Crank-Link Mill Chains –Attachments..... 4-16

宽系列焊接弯板链

Wide Series Welded Crank-Link Mill Chains..... 17-18

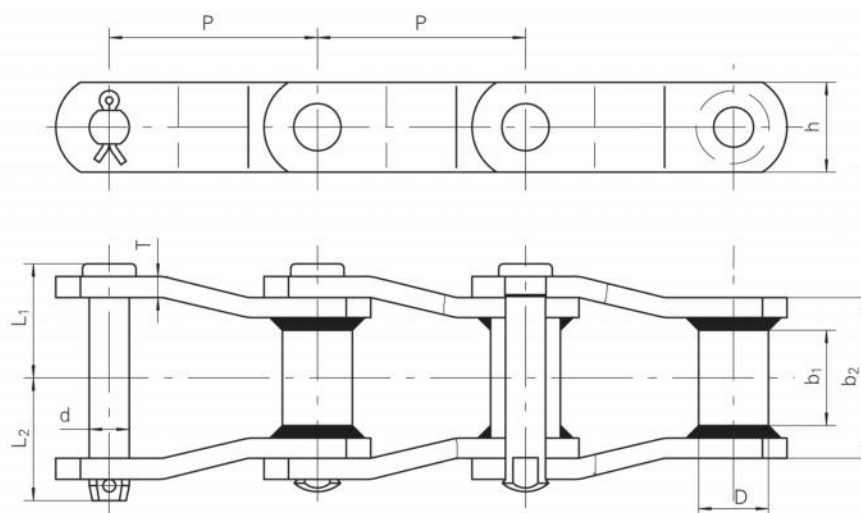
宽系列焊接弯板链附件

Wide Series Welded Crank-Link Mill Chains-Attachments..... 19-20

焊接弯板链 Welded Crank-Link Mill Chains

窄系列焊接弯板链

Narrow Series Welded Crank-Link Mill Chains



链号	节距	窄端		套筒 外径	链板		销轴			最小抗拉 强度	许用工作 载荷	每米 重量
Chain No.	Pitch	Narrow end		Bush diameter	Sidebars		Pin			Ultimate tensile strength	Rated Working load	Weight per meter
	P	b ₁ (min)	b ₂ (max)	D(max)	h	T	d	L ₁	L ₂	Fu (min)	kN	q
	mm	mm	mm	mm	mm	mm	mm	mm	mm	kN		kg/m
WR78	66.27	28.4	51	22.23	28.6	6.4	12.7	36.3	39.5	106.8	10.5	5.92
WH78	66.27	28.4	51	22.23	28.6	6.4	12.7	36.3	39.5	160	15.6	5.92
WSR78	66.27	20	41.3	21.3	25.4	6.4	12.7	31.5	34.6	85.3	8.3	5.16
WS78	66.27	20	41.3	21.3	25.4	6.4	12.7	31.5	34.6	125	12.1	5.04
DWR78	66.27	28.4	51	21.4	31.8	6.4	12.7	36.3	39.5	125	12.1	6.39
DWH78	66.27	28.4	51	21.4	31.8	6.4	12.7	36.3	39.5	160	15.6	6.44
WR78B	66.27	28.4	51	27	31.8	6.4	12.7	36.3	39.5	125	12.1	6.98
WH78B	66.27	28.4	51	27	31.8	6.4	12.7	36.3	39.5	160	15.6	6.98
WR82	78.1	31.8	57.4	25.4	31.8	6.4	14.27	40	43.5	133.4	14.7	6.85
WH82	78.1	31.8	57.4	27	31.8	6.4	14.27	40	43.5	200	19.6	7.14
WH82N	78.1	31.8	57.4	25.4	31.8	6.4	14.27	40	43.5	200	19.6	6.98

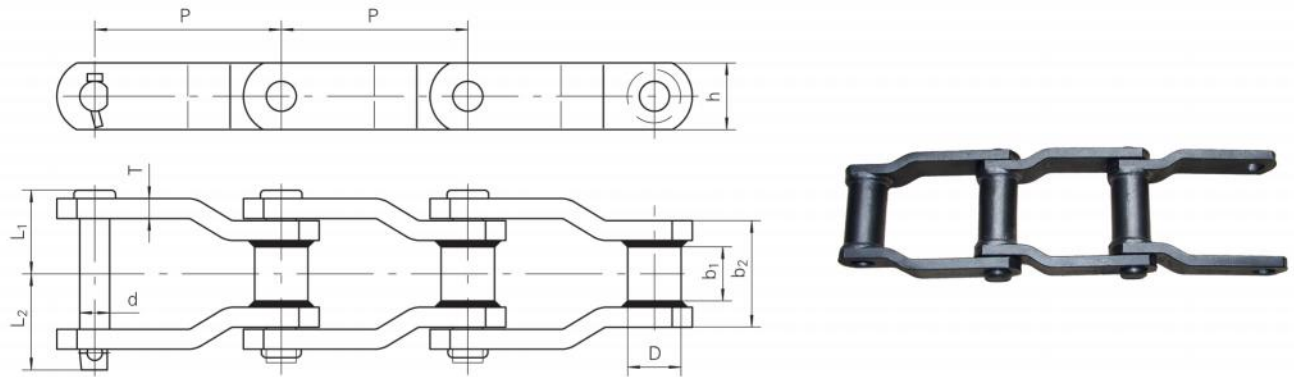
- WR WSR DWR链条销轴经过热处理
WR WSR DWR chains have all pins heat treated.
- WH WS DWH链条所有零件经过热处理
WH WS DWH chains have all parts heat treated.

焊接弯板链 Welded Crank-Link Mill Chains



窄系列焊接弯板链

Narrow Series Welded Crank-Link Mill Chains

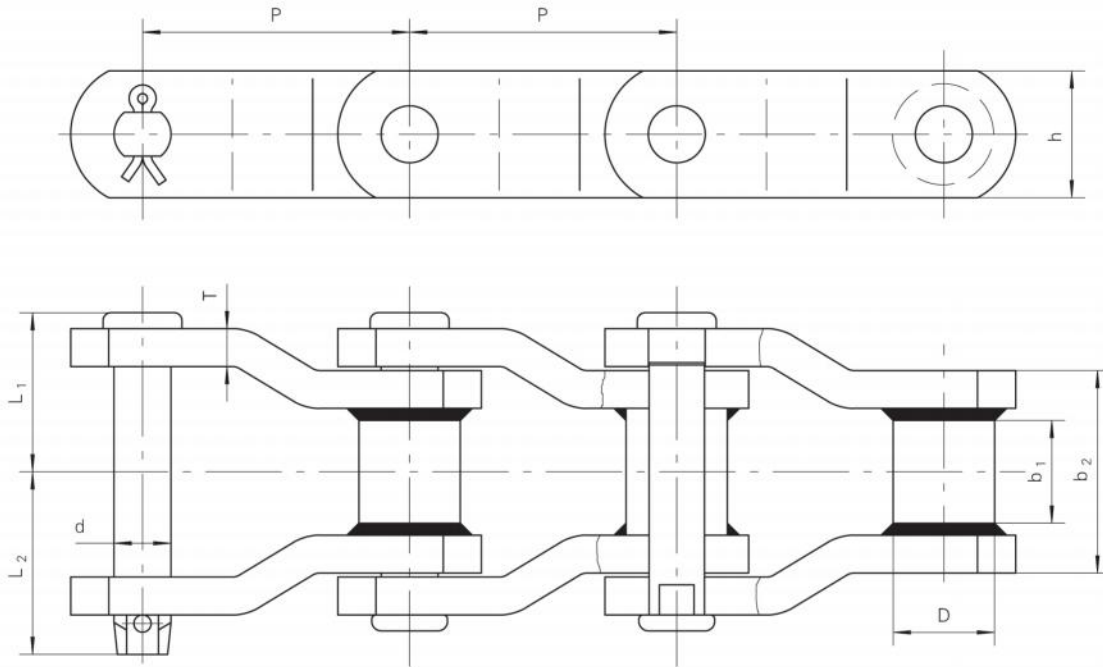


链号	节距	窄端		套筒 外径	链板		销轴			最小抗拉 强度	许用工作 载荷	每米 重量
Chain No.	Pitch	Narrow end		Bush diameter	Sidebars		Pin			Ultimate tensile strength	Rated Working load	Weight per meter
	P	b ₁ (min)	b ₂ (max)	D(max)	h	T	d	L ₁	L ₂	Fu (min)	kN	q
	mm	mm	mm	mm	mm	mm	mm	mm	mm	kN		kg/m
WR124	101.6	38.1	71.5	31.8	38.1	9.5	19.05	52	56	204	20.5	11.5
WH124	101.6	38.1	71.5	31.8	38.1	9.5	19.05	52	56	320	32.7	11.5
WHX124	101.6	38.1	71.5	36.55	38.1	9.5	19.05	51.8	56.2	320	32.7	12.5
WR111	120.9	50.8	85.6	31.8	44.5	9.5	19.05	59.4	63.3	270	32.5	13
WH111	120.9	50.8	85.6	31.8	44.5	9.5	19.05	59.4	63.3	320	39.5	13
WHX111	120.9	50.8	85.6	36.55	38.1	9.5	19.05	58.7	64.5	320	39.5	12.5
WR106	152.4	38.1	71.5	31.8	38.1	9.5	19.05	52	56	204	20.5	9.6
WH106	152.4	38.1	71.5	31.8	38.1	9.5	19.05	52	56	320	32.7	9.6
WHX106	152.4	38.1	71.5	36.55	38.1	9.5	19.05	51.8	56.2	320	32.7	9.7
WH720	152.4	28.5	55	32	40	10	19.05	44.5	49.5	350	35.8	9.7
WR110	152.4	44.5	76.5	31.8	38.1	9.5	19.05	54.4	59.6	204	20.5	9.6
WH110	152.4	44.5	76.5	31.8	38.1	9.5	19.05	54.4	59.6	320	32.7	9.6
WR132	153.67	69.85	111.6	44.5	50.8	12.7	25.4	77.3	81.7	345	42.5	21.1
WHX132	153.67	69.85	111.6	44.5	50.8	12.7	25.4	77.3	81.7	540	66.8	20.4
WR150	153.67	69.85	111.6	44.5	63.5	12.7	25.4	77.3	81.7	345	42.5	24.9
WHX150	153.67	69.85	111.6	44.5	63.5	12.7	25.4	77.3	81.7	540	66.8	24.5
FWHX150	153.67	69.85	110	44.5	65	12	25	75	81	520	64.5	24.7
WHX155	153.67	69.85	112.1	44.5	63.5	14.3	28.4	77.4	87.5	660	77.8	27.7
WHX157	153.67	69.85	118.1	44.5	63.5	15.9	28.55	81.4	92.6	750	80.9	29.3
WHX159	155.58	73	118.1	50.8	76.2	15.9	31.5	83	84.8	930	90	38.4
WHX4855	304.8	69.85	116.9	44.5	63.5	15.9	31.55	81.8	84.3	780	76.8	22.5
WHX4859	304.8	73	118.1	50.8	76.2	15.9	31.5	83	84.8	930	87.5	28.9

- WR 链条销轴经过热处理
WR chains have all pins heat treated.
- WH 链条所有零件经过热处理
WH chains have all parts heat treated.
- WHX 链条所有零件经过热处理，销轴表面感应硬化处理
WHX chains have all parts heat treated and pin surface induction hardened.

窄系列焊接弯板链

Narrow Series Welded Crank-Link Mill Chains



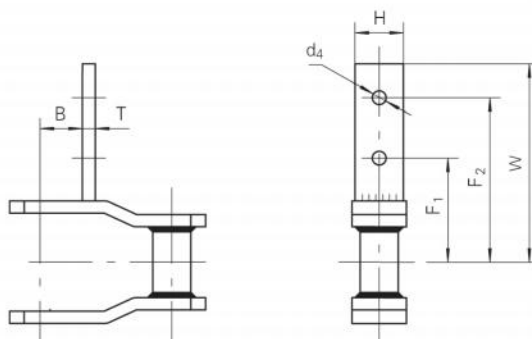
链号	节距	窄端		套筒 外径	链板		销轴			最小抗拉 强度	许用工作 载荷	每米 重量
Chain No.	Pitch	Narrow end		Bush Diameter	Sidebars		Pin			Ultimate tensile strength	Rated working load	weight per meter
	P	b ₁ (min)	b ₂ (max)	D(max)	h	T	d	L ₁	L ₂	Fu (min)	kN	q
	mm	mm	mm	mm	mm	mm	mm	mm	mm	kN		kg/m
WR78HD	66.95	25.4	51.2	25.4	31.8	9.5	14.27	40.2	45.3	133.4	14.7	9.4
WH78HD	66.95	25.4	51.2	25.4	31.8	9.5	14.27	40.2	45.3	200	19.6	9.4
WR82HD	78.1	28.6	60.8	31.75	38.1	9.5	19.05	46.5	50.8	215	20.5	12.7
WH82HD	78.1	28.6	60.8	31.75	38.1	9.5	19.05	46.5	50.8	320	32.7	12.7
WH9103HD	78.1	28.6	57.9	31.75	38.1	9.5	18.95	43.5	48.4	320	32.9	11.9
WR124HD	103.2	38.1	76.3	41.28	50.8	12.7	25.4	59.4	64.3	378	46.5	21.3
WH124HD	103.2	38.1	76.3	41.28	50.8	12.7	25.4	59.4	64.3	540	66.8	21.3
WHX124HD	103.2	38.1	76.3	41.28	50.8	12.7	25.4	59.4	64.3	540	66.8	20.7
WHX111HD	120.9	57.15	91.96	36.53	50.8	12.7	19.05	65.5	69.5	320	39.5	19.1
WH132HD	153.67	69.85	119.03	44.5	50.8	15.9	25.4	84	89.7	540	69.3	24.8
WHX132HD	153.67	69.85	119.03	44.5	50.8	15.9	25.4	84	89.7	540	69.3	24.8

- WR 链条销轴经过热处理
WR chains have all pins heat treated
- WH链条所有零件经过热处理
WH chains have all parts heat treated.
- WHX 链条所有零件经过热处理，销轴表面感应硬化处理
WHX chains have all parts heat treated and pin surface induction hardened.

窄系列焊接弯板链附件

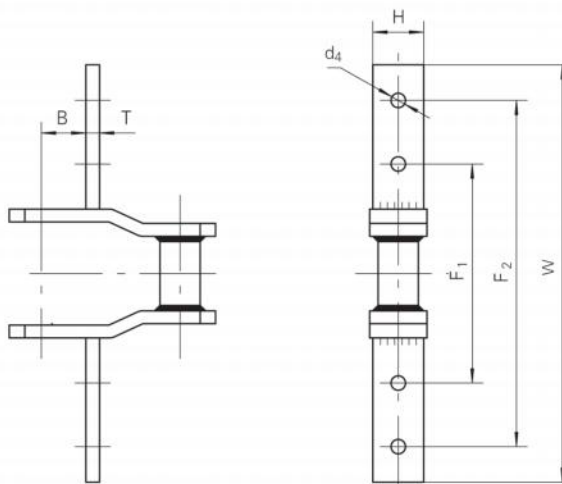
Narrow Series Welded Crank-Link Mill Chains - Attachments

SH2附件
SH2 Attachment



附件号	链号	H	F ₁	F ₂	W	d ₄	B	T
Att. No.	Chain No.	mm	mm	mm	mm	mm	mm	mm
SH2	W78	25.4	63.5	127	158	11	15	10

BH2附件
BH2 Attachment

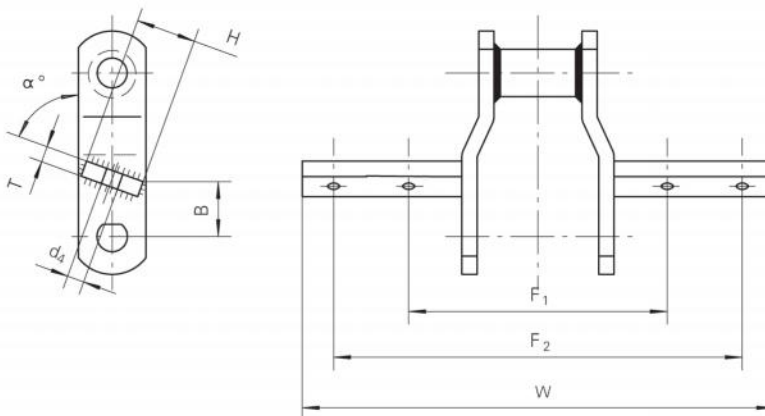


附件号	链号	H	F ₁	F ₂	W	d ₄	B	T
Att. No.	Chain No.	mm	mm	mm	mm	mm	mm	mm
BH2	W78	28	120	200	230	9	15	8
BH2 S	W82	31.8	133	253	300	11	17	6
BH2 M		31.8	130	180	220	10	17	6
BH2 S	W124	38.1	145	315	376	11	46	9.5
BH2 M		38.1	154	322	384	11	45	10
BH2 L		38.1	170	347	387	12	31.8	10
BH2 S	WH111	44.5	206.8	336.8	386.8	13	20	12
BH2M		44.5	206.8	426.8	506.8	18	20	14
BH2 S	W132	50.8	219.4	370	450	14	77.3	12.7
BH2 M		50.8	284	435	580	14	77.3	12.7
BH2 L		50.8	200	619.1	665	14.3	50.8	14
BH2	WHX155	50	203.1	593.1	660	13	50	12
BH2 S	WHX157	63.5	270	450	530	18	32	16
BH2 M		63.5	310	570	700	18	32	16

窄系列焊接弯板链附件

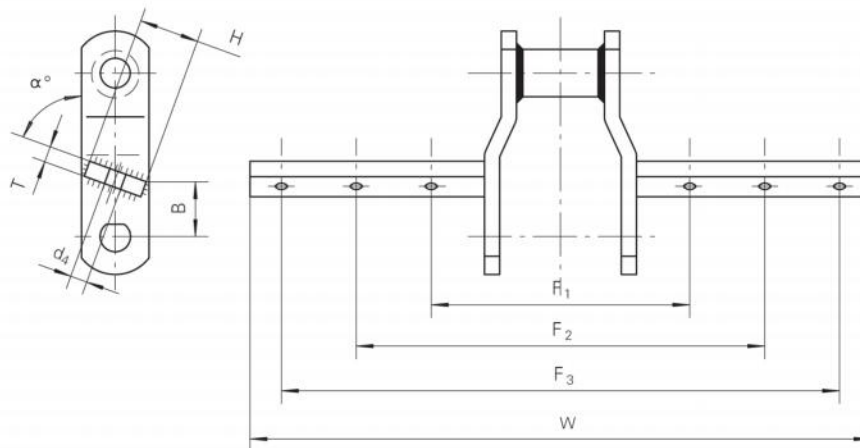
Narrow Series Welded Crank-Link Mill Chains - Attachments

BS2附件
BS2 Attachment



附件号	链号	H	F ₁	F ₂	W	d ₄	B	T	α
Att. No.	Chain No.	mm	mm	mm	mm	mm	mm	mm	
BS2 S	W124	38.1	154	294	334	12	41.21	10	60
BS2 M		55	190	430	500	13	34	12	60
BS2 S	W132	50.8	200	508	570	14.3	63.5	14	62.92
BS2 M		50.8	200	590	650	14.3	62.92	14	60
BS2 L		50.8	224	374	434	14	45.92	10	60

BS3附件
BS3 Attachment

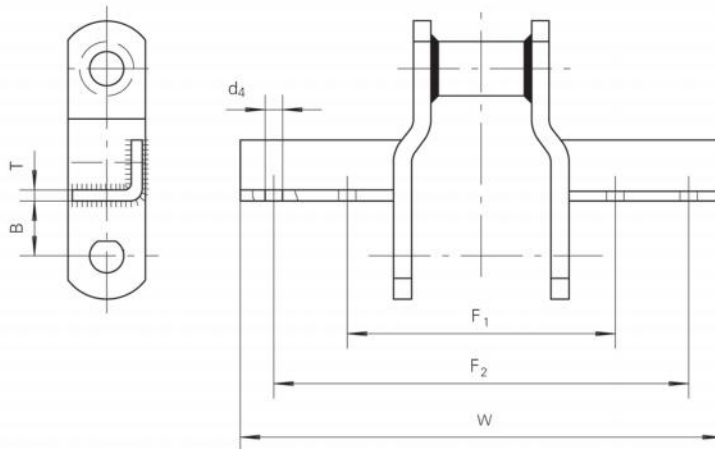


附件号	链号	H	F ₁	F ₂	F ₃	W	d ₄	B	T	α
Att. No.	Chain No.	mm	mm	mm	mm	mm	mm	mm	mm	
BS3	W132	50	226	450	674	734	14	60.67	12	60
	W150	63.5	230	560	890	950	14	45.92	12	60

窄系列焊接弯板链附件

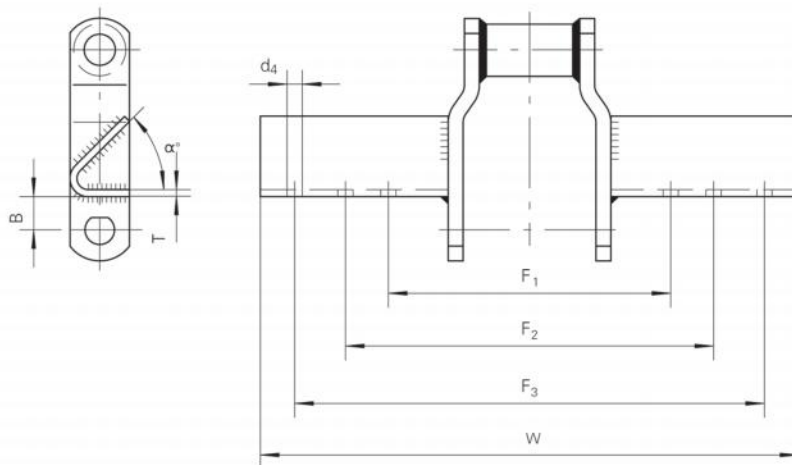
Narrow Series Welded Crank-Link Mill Chains - Attachments

BF2附件
BF2 Attachment



附件号	链号	E ₁	E ₂	F ₁	F ₂	W	d ₄	B	T
Att. No.	Chain No.	mm	mm	mm	mm	mm	mm	mm	mm
BF2 S	W124	38.1	38.1	154.3	322.3	376.3	12	31.8	6
BF2 M		38.1	38.1	154.3	627.3	681.3	12	31.8	6
BF2	W111	45	45	206.8	606.8	706.8	13	86	6
BF2 S	W132	50	50	218	458.7	538.7	14	50	6
BF2 M		75	50	221	736	816	16	40	8
BF2 S	W150	50	50	240	520	590	13	73.67	5
BF2 M		50.8	50.8	200	590	652.5	14.3	50.8	6
BF2	WHX155	50	75	260	720	790	13	73.67	6
BF2 S	WHX157	63.5	63.5	220	395	455	14.3	45	10
BF2 M		63	63	280	760	890	18	106	8

WING附件
WING Attachment

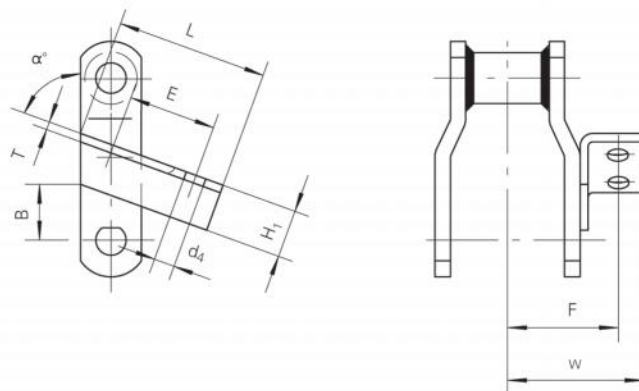


附件号	链号	F ₁	F ₂	F ₃	W	d ₄	B	T	α
Att. No.	Chain No.	mm	mm	mm	mm	mm	mm	mm	
WING	W82	140	425	710	750	9	14	5	45
	W132	240	430	620	720	13	28.3	6	45
	WHX157	250	540	830	920	13	30	6	45

窄系列焊接弯板链附件

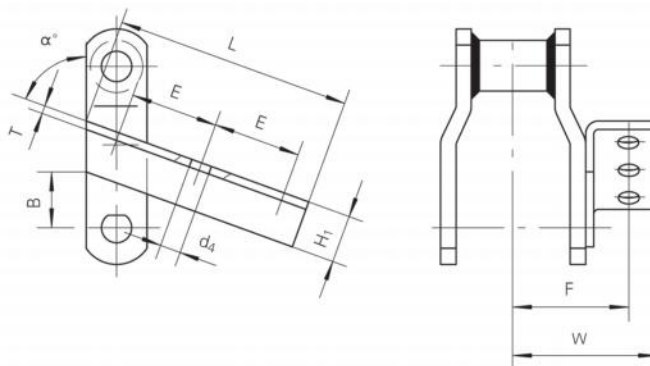
Narrow Series Welded Crank-Link Mill Chains - Attachments

SSA2附件
SSA2 Attachment



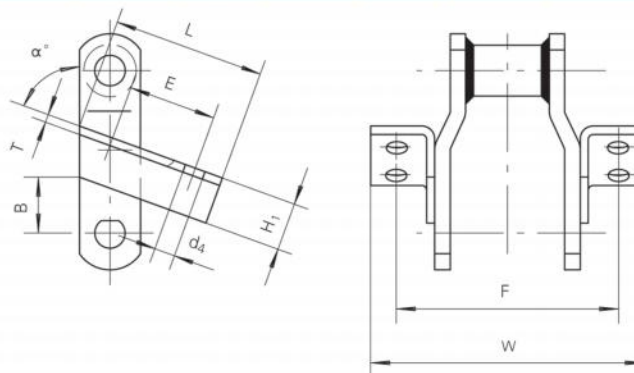
附件号	链号	H ₁	E	L	F	W	d ₄	B	T	α
Att. No.	Chain No.	mm	mm	mm	mm	mm	mm	mm	mm	°
SSA2	WHX150	50	80	160	163.4	194.3	18	55	12	50
	WHX157	50	90	170	163.4	193.4	18	40	12	65

SSA3附件
SSA3 Attachment



附件号	链号	H ₁	E	L	F	W	d ₄	B	T	α
Att. No.	Chain No.	mm	mm	mm	mm	mm	mm	mm	mm	°
SSA3	WHX150	50	90	240	163.4	194.3	18	50	12	60

BSA2附件
BSA2 Attachment

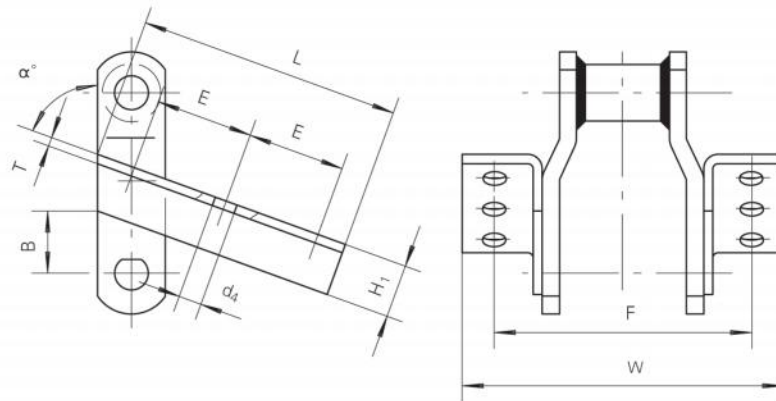


附件号	链号	H ₁	E	L	F	W	d ₄	B	T	α°
Att. No.	Chain No.	mm	mm	mm	mm	mm	mm	mm	mm	°
BSA2 S	W124	30	55	95	138.9	170.9	13	35	5	60
BSA2 M		30	55	95	138.9	170.9	13	35	5	70
BSA2 L		30	75	130	166.9	216.9	13	31.5	6	60
BSA2	WHX157	50	90	170	340	402	18	38	12	70

窄系列焊接弯板链附件

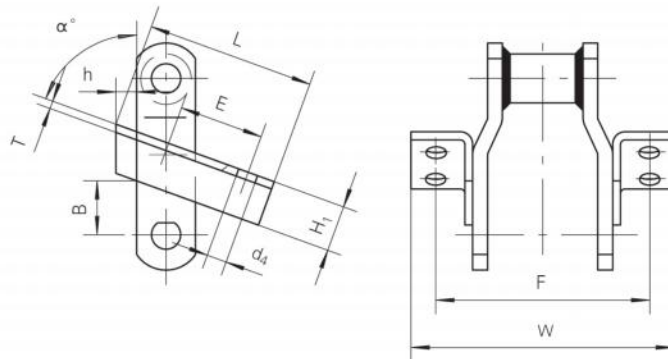
Narrow Series Welded Crank-Link Mill Chains - Attachments

BSA3附件
BSA3 Attachment



附件号	链号	H ₁	E	L	F	W	d ₄	B	T	α
Att. No.	Chain No.	mm	mm	mm	mm	mm	mm	mm	mm	
BSA3 S	W132	50	90	240	229	289	18	44.5	10	50
BSA3 M		50	90	240	229	289	18	44.5	10	60
BSA3 L		50	90	240	340	400	18	43	12	65
BSA3 S	WHX157	50	90	240	340	402	18	60	12	50
BSA3 M		50	90	240	340	402	18	50	12	60
BSA3 L		50	90	240	340	402	18	50	12	65

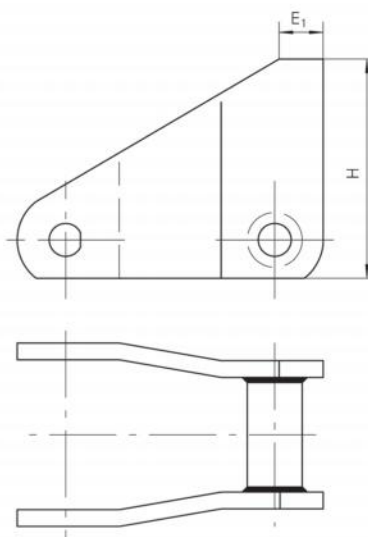
BSB2附件
BSB2 Attachment



附件号	链号	H ₁	h	E	L	F	W	d ₄	B	T	α
Att. No.	Chain No.	mm	mm	mm	mm	mm	mm	mm	mm	mm	
BSB2 S	W111	40	15	80	130	186.8	232.8	18	22	6	70
BSB2 M		40	15	100	167.5	206.8	256.8	18	29.54	10	70

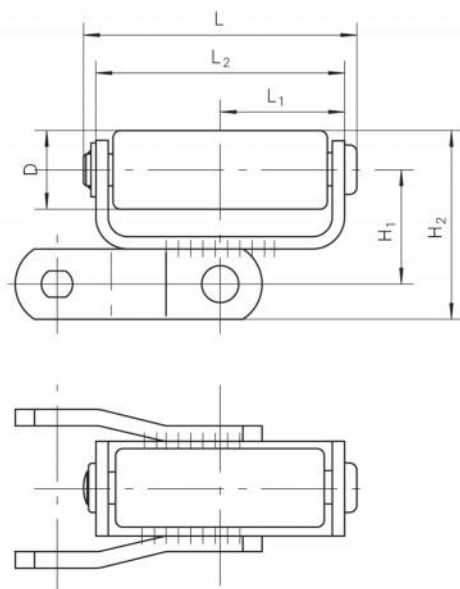
窄系列焊接弯板链附件 Narrow Series Welded Crank-Link Mill Chains - Attachments

S1附件
S1 Attachment



附件号	链号	E ₁	H
Att. No.	Chain No.	mm	mm
S1	W111	25.4	127
	W132	25.4	152.4
	WHX157	33.35	127

F20附件
F20 Attachment

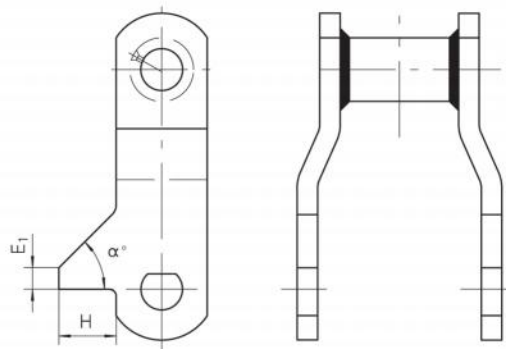


附件号	链号	D	H ₁	H ₂	L	L ₁	L ₂
Att. No.	Chain No.	mm	mm	mm	mm	mm	mm
F20	DW78	32	46.6	78.5	121	55.5	111

窄系列焊接弯板链附件

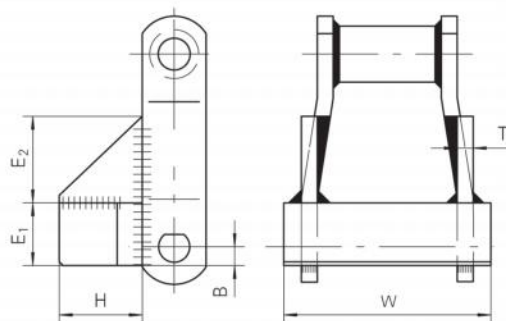
Narrow Series Welded Crank-Link Mill Chains - Attachments

RR2附件
RR2 Attachment



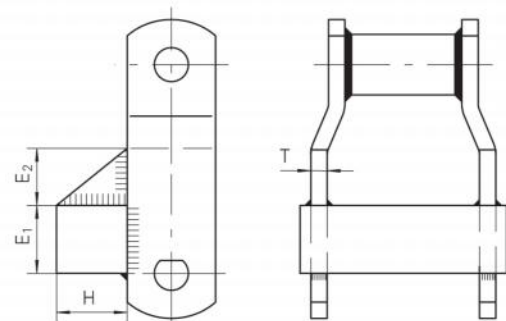
附件号	链号	E ₁	H	α
Att. No.	Chain No.	mm	mm	mm
RR2	WHX155	15	40	45
	W150	8	25.5	45

FA附件
FA Attachment



附件号	链号	B	E ₁	E ₂	H	T	W
Att. No.	Chain No.	mm	mm	mm	mm	mm	mm
FA	W132	15	50	69	66.2	12	165
	WHX155	18	50	42	52	12	152

FB附件
FB Attachment

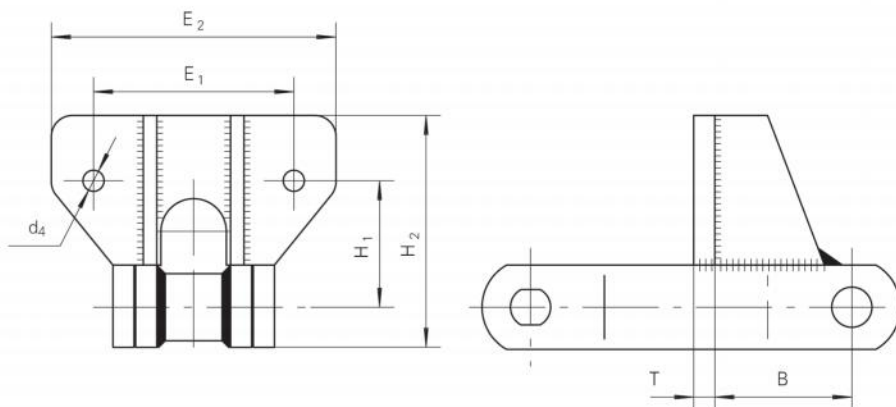


附件号	链号	E ₁	E ₂	H	T	W
Att. No.	Chain No.	mm	mm	mm	mm	mm
FB	FW150	50	42	52	12	152
	W124	40	30	40	6	90

窄系列焊接弯板链附件

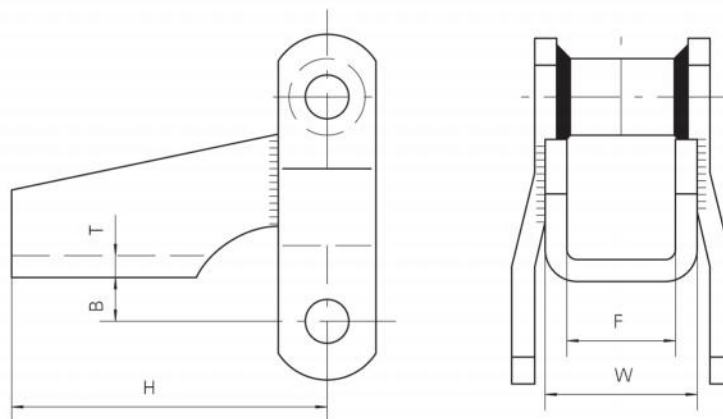
Narrow Series Welded Crank-Link Mill Chains - Attachments

F226附件
F226 Attachment



附件号	链号	H_1	H_2	E_1	E_2	d_4	B	T
Att. No.	Chain No.	mm	mm	mm	mm	mm	mm	mm
F226	W720	60	110	95	135	10	66	10

H1附件
H1 Attachment

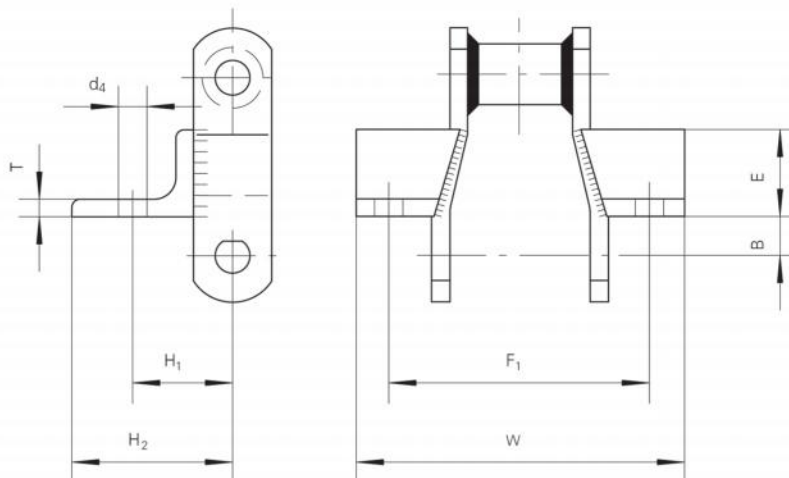


附件号	链号	B	F	H	T	W
Att. No.	Chain No.	mm	mm	mm	mm	mm
H1	W78	12.7	31.7	92.2	6.4	44.5
	W82	16	38	92.2	6.4	50.8

窄系列焊接弯板链附件

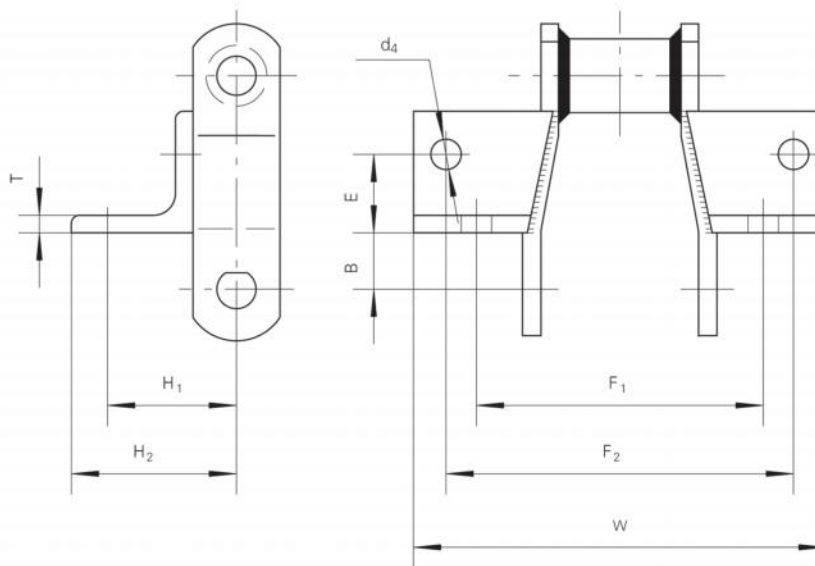
Narrow Series Welded Crank-Link Mill Chains - Attachments

F2 附件
F2 Attachment



附件号	链号	B	d ₄	E	F ₁	H ₁	H ₂	T	W
Att. No.	Chain No.	mm	mm	mm	mm	mm	mm	mm	mm
F2	W78	14.23	10.4	31.75	95.25	36.58	58.67	6.4	119

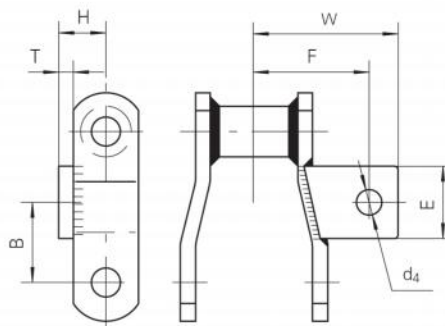
F4 附件
F4 Attachment



附件号	链号	B	d ₄	E	F ₁	F ₂	H ₁	H ₂	T	W
Att. No.	Chain No.	mm	mm	mm	mm	mm	mm	mm	mm	mm
F4	W78	17.53	10.4	31.75	95.25	114.3	44.45	58.67	6.4	139.7
	W82	20.57	10.4	28.7	104.9	127	45.97	60.45	6.4	150.9
	W124	22.35	10.4	36.07	111.25	133.35	52.32	77.72	9.5	157.2

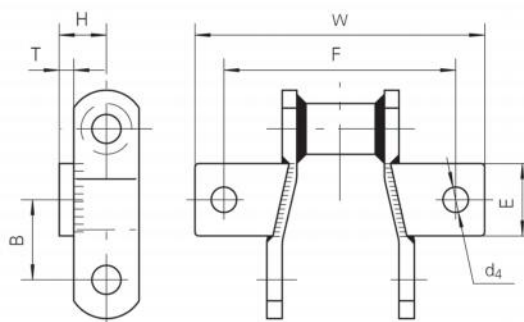
窄系列焊接弯板链附件 Narrow Series Welded Crank-Link Mill Chains - Attachments

A1 附件
A1 Attachment



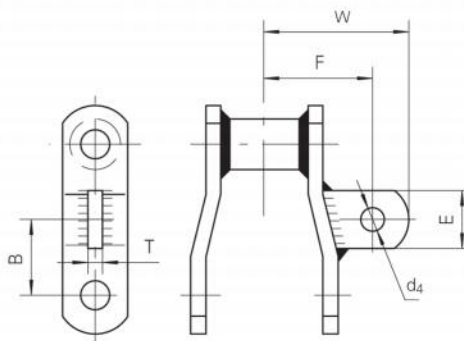
附件号 Att. No.	链号 Chain No.	B mm	d ₄ mm	E mm	F mm	H mm	W mm	T mm
A1	W78	31.75	10.4	31.75	50.8	20.7	63.5	6.4
	W82	38.1	10.4	44.45	53.1	22.3	69.85	6.4

K1 附件
K1 Attachment



附件号 Att. No.	链号 Chain No.	B mm	d ₄ mm	E mm	F mm	H mm	W mm	T mm
K1	W78	31.75	10.4	31.75	101.6	20.7	127	6.4
	W82	38.1	10.4	44.45	106.2	22.3	139.7	6.4

A22 附件
A22 Attachment

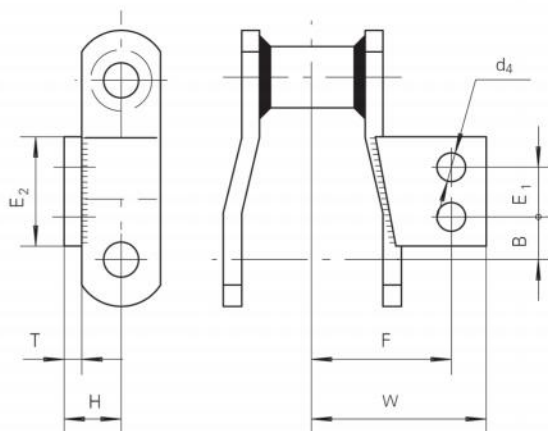


附件号 Att. No.	链号 Chain No.	B mm	d ₄ mm	E mm	F mm	W mm	T mm
A22	W124	50.8	11	38.1	75	95	9
	WHX155	85	31	90	107	137	41.5

窄系列焊接弯板链附件

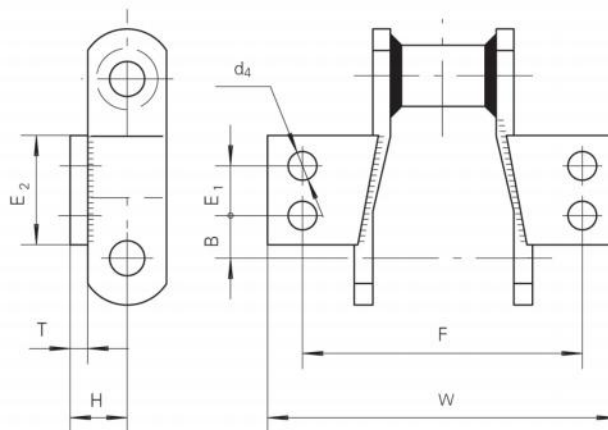
Narrow Series Welded Crank-Link Mill Chains - Attachments

A2 附件
A2 Attachment



附件号	链号	B	d ₄	E ₁	E ₂	F	H	W	T
Att. No.	Chain No.	mm	mm	mm	mm	mm	mm	mm	mm
A2	W78	10.4	10.4	28.7	50.8	50.8	20.7	63.5	6.4
	W82	19.05	10.4	33.3	57.15	54.1	22.3	68.3	6.4
	W124	22.4	10.4	49.3	76.2	66.8	28.6	81	9.5
	W132	41.4	14.3	69.85	108	95.3	38.1	116.6	12.7
	W150	41.4	14.3	69.85	106.5	95.3	44.45	116.6	12.7
	WHX155	41.4	14.3	69.85	106.5	95.3	46	116.6	14.3
	WHX157	44.45	14.3	63.5	101.6	101.6	47.75	121.4	16

K2 附件
K2 Attachment

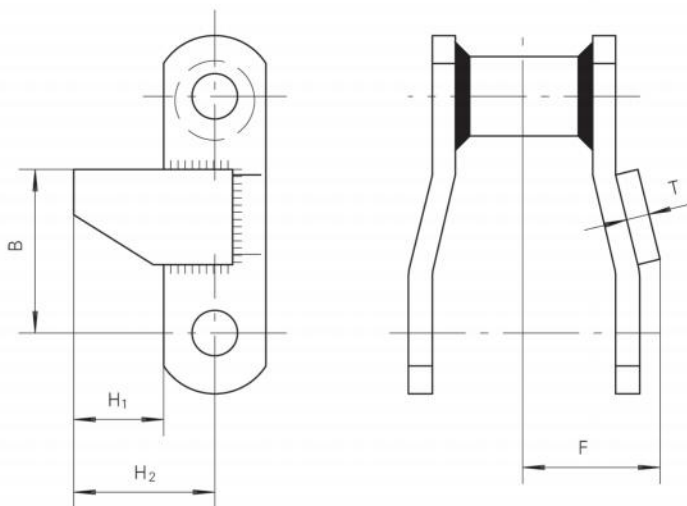


附件号	链号	B	d ₄	E ₁	E ₂	F	H	W	T
Att. No.	Chain No.	mm	mm	mm	mm	mm	mm	mm	mm
K2	W78	10.4	10.4	28.7	50.8	101.6	20.7	127	6.4
	W82	19.05	10.4	33.3	57.15	108.2	22.3	136.6	6.4
	W124	22.4	10.4	49.3	76.2	133.6	28.6	162	9.5
	W132	41.4	14.3	69.85	108	190.5	38.1	233.2	12.7
	W150	41.4	14.3	69.85	106.5	190.5	44.45	233.2	12.7
	WHX155	41.4	14.3	69.85	106.5	190.5	46	233.2	14.3
	WHX157	44.45	14.3	63.5	101.6	203.2	47.75	242.8	16

窄系列焊接弯板链附件

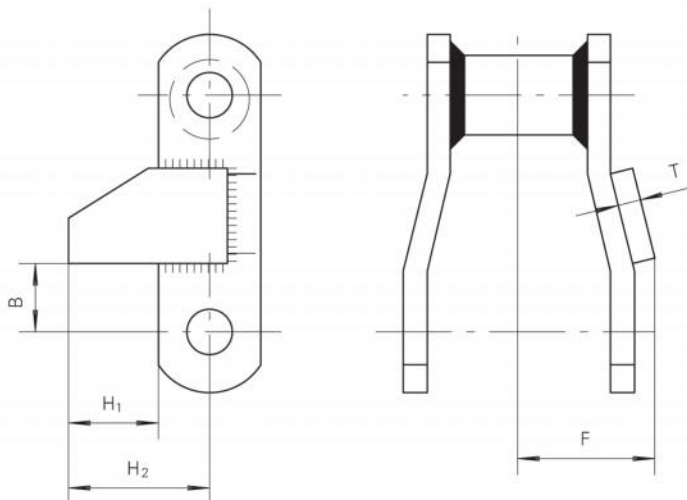
Narrow Series Welded Crank-Link Mill Chains - Attachments

R1 附件
R1 Attachment



附件号	链号	B	F	H ₁	H ₂	T
Att. No.	Chain No.	mm	mm	mm	mm	mm
R1	W78	47.75	38.1	25.4	39.7	6.4
	W82	55.4	41.4	31.85	47.75	6.4
	W124	69.1	54.9	28.7	47.75	9.5

R2 附件
R2 Attachment

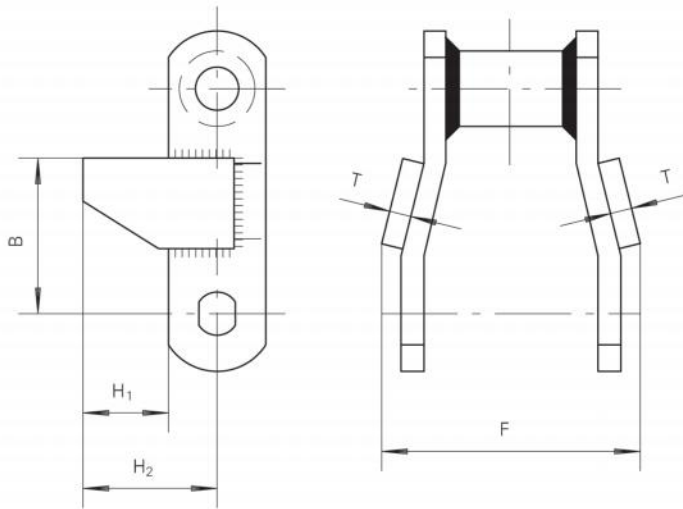


附件号	链号	B	F	H ₁	H ₂	T
Att. No.	Chain No.	mm	mm	mm	mm	mm
R2	W78	17.5	38.1	25.4	39.7	6.4
	W82	22.4	41.4	31.85	47.75	6.4
	W124	31.75	54.9	28.7	47.75	9.5

窄系列焊接弯板链附件

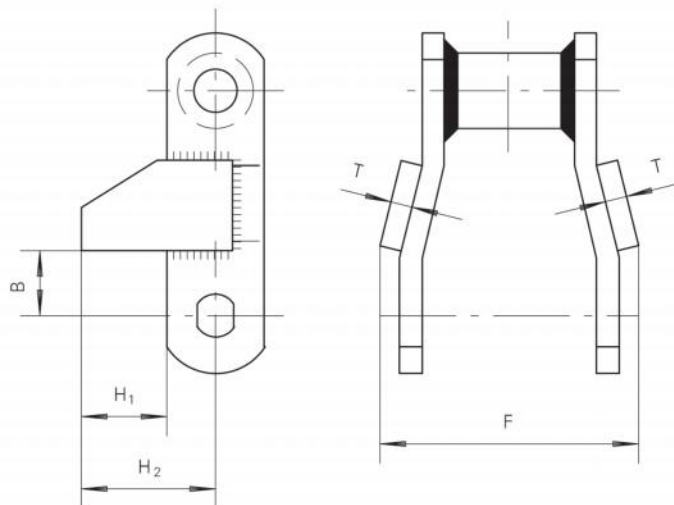
Narrow Series Welded Crank-Link Mill Chains - Attachments

RR1 附件
RR1 Attachment



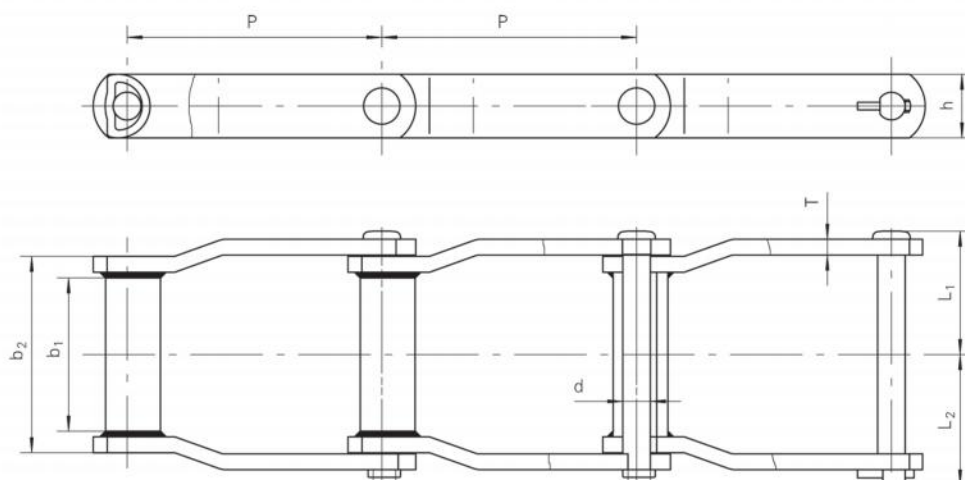
附件号	链号	B	F	H ₁	H ₂	T
Att. No.	Chain No.	mm	mm	mm	mm	mm
RR1	W78	47.75	76.2	25.4	39.7	6.4
	W82	55.4	82.8	31.85	47.75	6.4
	W124	69.1	109.8	28.7	47.75	9.5

RR2 附件
RR2 Attachment



附件号	链号	B	F	H ₁	H ₂	T
Att. No.	Chain No.	mm	mm	mm	mm	mm
RR2	W78	17.5	76.2	25.4	39.7	6.4
	W82	22.4	82.8	31.85	47.75	6.4
	W124	31.75	109.8	28.7	47.75	9.5

宽系列焊接弯板链 Wide Series Welded Crank-Link Mill Chains

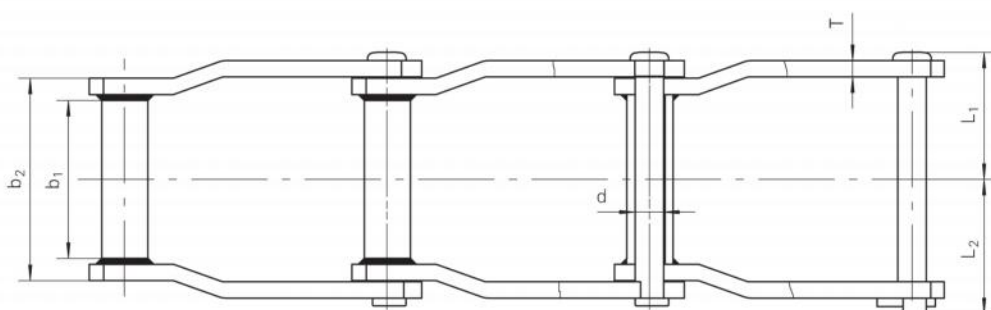
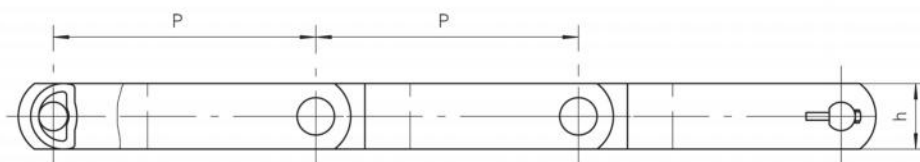


链号	节距	窄端		链板		销轴			最小抗拉强度	许用工作载荷	每米重量
Chain No.	Pitch	Narrow End		Sidebars		Pin			Ultimate tensile strength	Rated working load	Weight per meter
	P	b ₁ (min)	b ₂ max)	h	T	d	L ₁	L ₂	Fu(min)	kN	q
	mm	mm	mm	mm	mm	mm	mm	mm	kN		kg/m
WDR104	152.4	104.6	136.9	38.1	9.5	18.9	84.2	91	204	28.5	12
WDH104	152.4	104.6	136.9	38.1	9.5	18.9	84.2	91	310	44.5	12
WDR110	152.4	228.6	263.9	38.1	9.5	18.9	147.8	154.5	204	28.5	17
WDH110	152.4	228.6	263.9	38.1	9.5	18.9	147.8	154.5	310	44.5	16.9
WDR112	203.2	228.6	263.9	38.1	9.5	18.9	147.8	154.5	204	28.5	14.1
WDH112	203.2	228.6	263.9	38.1	9.5	18.9	147.8	154.5	310	44.5	14.1
WDR116	203.2	325.8	358.7	44.5	9.5	18.9	195.4	201.8	262	36.5	18.8
WDH116	203.2	325.8	358.7	44.5	9.5	18.9	195.4	201.8	320	51.2	18.8
WDR120	152.4	222.2	260.4	50.8	12.7	22.1	150.5	157	390	48	28.7
WDH120	152.4	222.2	260.4	50.8	12.7	22.1	150.5	157	500	66.8	28.7
WDR480	203.2	282.4	324.1	50.8	12.7	22.1	182.2	188.7	390	48	26.9
WDH480	203.2	282.4	324.1	50.8	12.7	22.1	182.2	188.7	500	66.8	26.9

- WDR 链条销轴经过热处理
WDR chains have all pins heat treated.
- WDH链条所有零件经过热处理
WDH chains have all parts heat treated.

宽系列焊接弯板链

Wide Series Welded Crank-Link Mill Chains

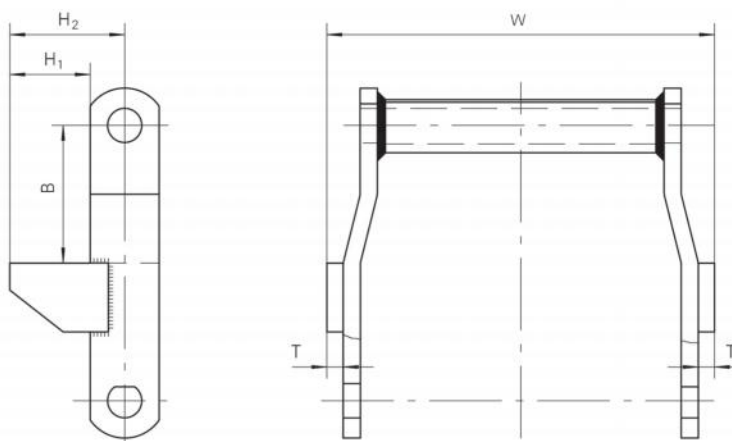


链号	节距	窄端		链板		销轴			最小抗拉强度	许用工作载荷	每米重量
Chain No.	Pitch	Narrow End		Sidebars		Pin			Ultimate tensile strength	Rated working load	Weight per meter
	P	b ₁ (min)	b ₂ (max)	h	T	d	L ₁	L ₂	Fu(min)	kN	q
	mm	mm	mm	mm	mm	mm	mm	mm	kN		kg/m
WDR2210	155.85	228.6	263.9	38.1	9.5	18.9	147.8	154.5	204	28.5	16.70
WDH2210	155.85	228.6	263.9	38.1	9.5	18.9	147.8	154.5	310	44.5	16.70
WDR2380	207.29	282.4	324.1	50.8	12.7	22.1	182.2	188.7	390	48	26.56
WDH2380	207.29	282.4	324.1	50.8	12.7	22.1	182.2	188.7	500	66.8	26.56
WDR580	203.2	282.4	324.1	50.8	12.7	25.4	181.5	189.3	345	57.5	29.2
WDH580	203.2	282.4	324.1	50.8	12.7	25.4	181.5	189.3	540	91.2	29.2

- WDR 链条销轴经过热处理
WDR chains have all pins heat treated.
- WDH链条所有零件经过热处理
WDH chains have all parts heat treated.

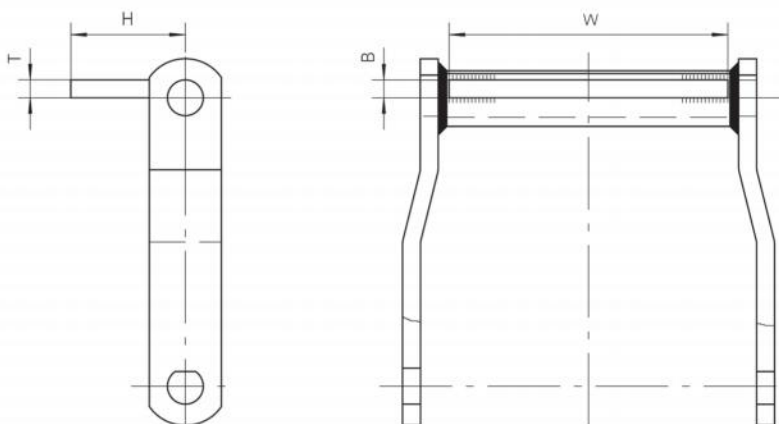
宽系列焊接弯板链 Wide Series Welded Crank-Link Mill Chains

RR1 附件
RR1 Attachment



附件号	链号	B	H ₁	H ₂	T	W
Att. No.	Chain No.	mm	mm	mm	mm	mm
RR1	WD110	76.2	44.45	63.5	9.5	302.7
	WD112	76.2	44.45	63.5	9.5	302.7
	WD120	76.2	57.15	82.55	12.7	313.4
	WD480	76.2	57.15	82.55	12.7	377
	WD2210	76.2	44.45	63.5	9.5	302.7
	WD2380	76.2	57.15	82.55	12.7	377

C1 C3 C4 附件
C1 C3 C4 Attachment

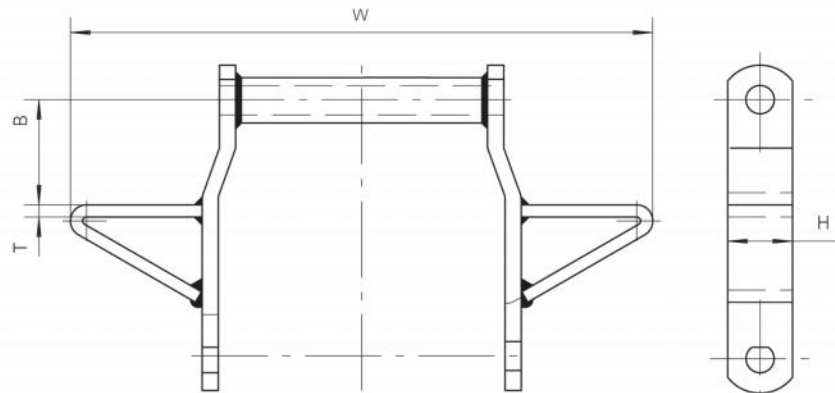


附件号	链号	B	H	T	W
Att. No.	Chain No.	mm	mm	mm	mm
C1	WD110	9.5	60.5	9.5	231.9
	WD112	9.5	60.5	9.5	231.9
C3	WD120	12.7	76.2	12.7	219.2
	WD480	12.7	76.2	12.7	282.7
C4	WD110	9.5	95.25	9.5	231.9
	WD112	9.5	95.25	9.5	231.9
	WD480	12.7	127	12.7	282.7

宽系列焊接弯板链

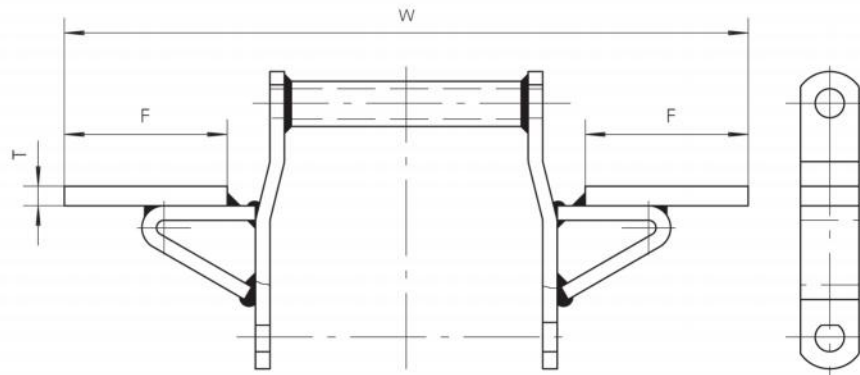
Wide Series Welded Crank-Link Mill Chains

WING 附件
WING Attachment



附件号	链号	B	H	T	W
Att. No.	Chain No.	mm	mm	mm	mm
WING	WD110	44.45	38.1	9.5	431.8
	WD112	82.6	38.1	9.5	431.8
	WD120	82.6	50.8	12.7	431.8
	WD2210	57.2	38.1	9.5	431.8
	WD2380	82.6	50.8	9.5	558.8
	WD480	63.5	50.8	12.7	558.8

W24 附件
W24 Attachment



附件号	链号	F	T	W
Att. No.	Chain No.	mm	mm	mm
W24	WD110	152.4	12.7	609.6