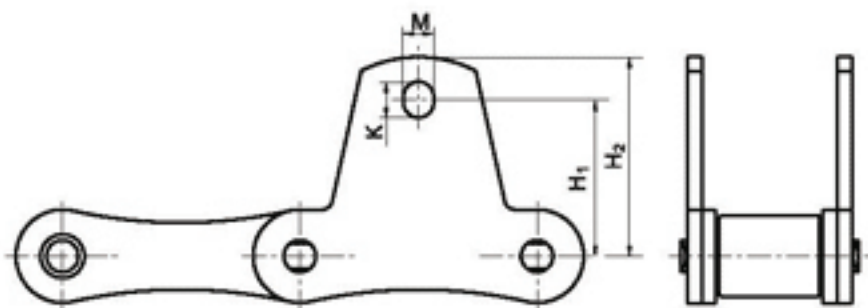
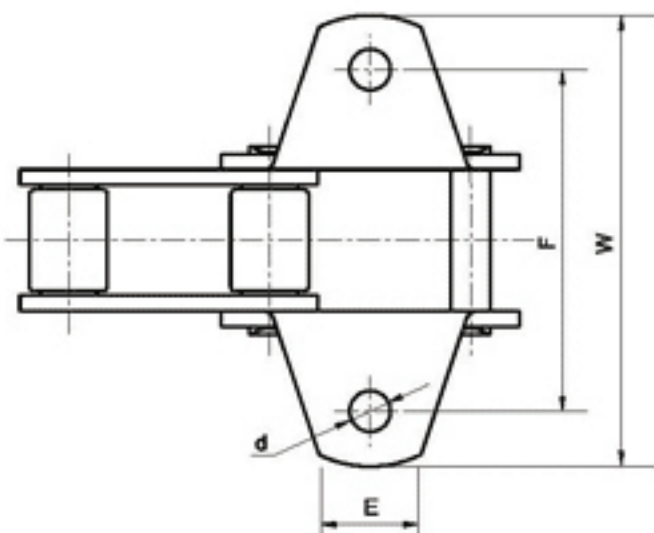
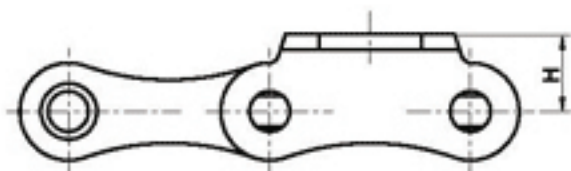


S系列农用滚子链附件

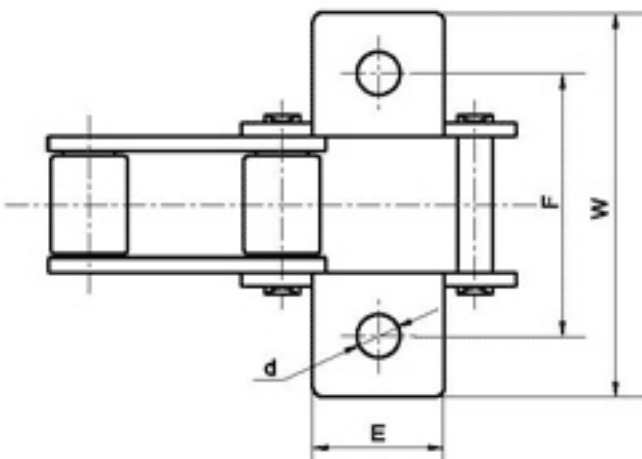
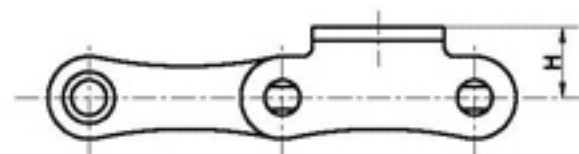
S Series Agricultural Roller Chains-Attachments



Type	链号 Chain No.	H ₁ mm	H ₂ mm	M mm	K mm
BH ₁	S88	43.7	55.6	8.5	10
	S32	16.5	25.1	6.5	8.1



Type	链号 Chain No.	F mm	d mm	W mm	E mm	H mm
BK ₁ -C ₁	S45	50.8	7.3	74	21.3	11.4
BK ₁ -C ₃		50.8	8.3	74	21.3	11.4



Type	链号 Chain No.	F mm	d mm	W mm	E mm	H mm
Nr220	S52LV	50	8.5	74	26	14
220		50	9.5	74	26	15