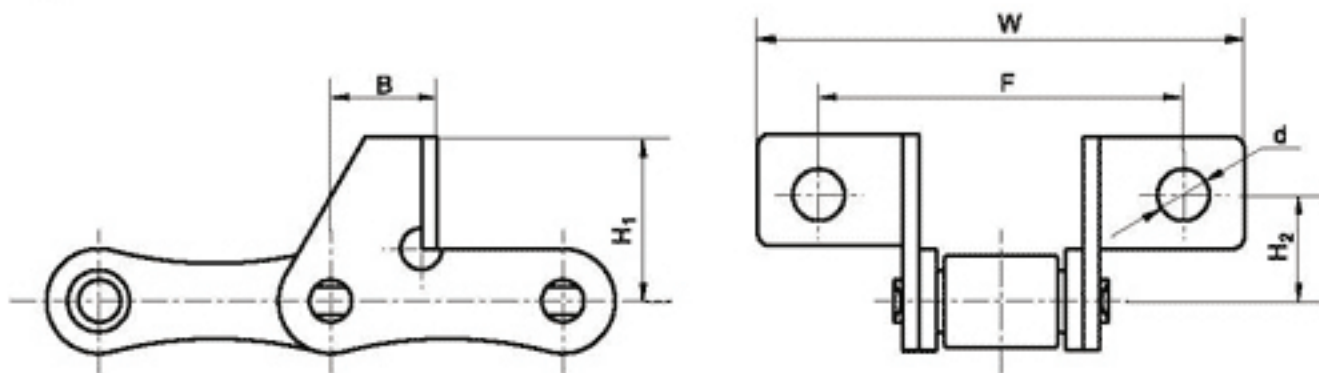
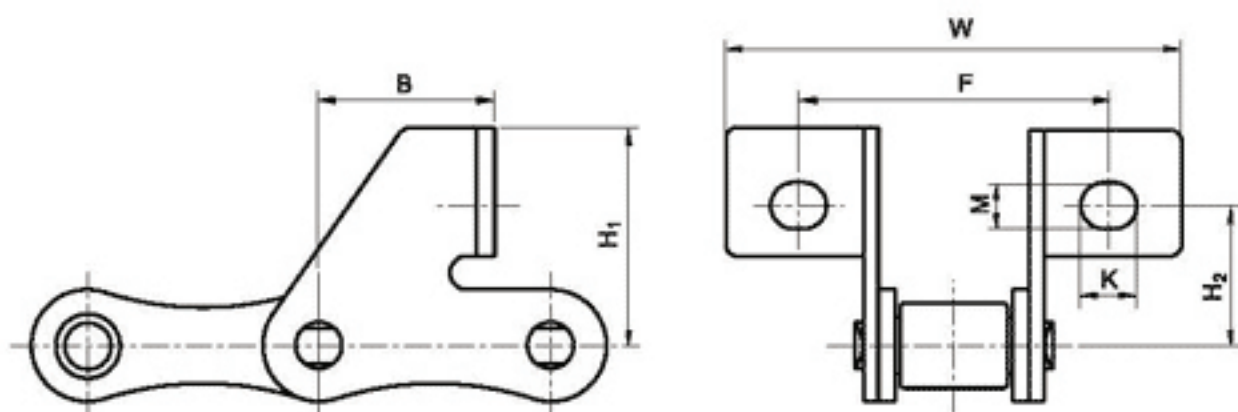


# S系列农用滚子链附件

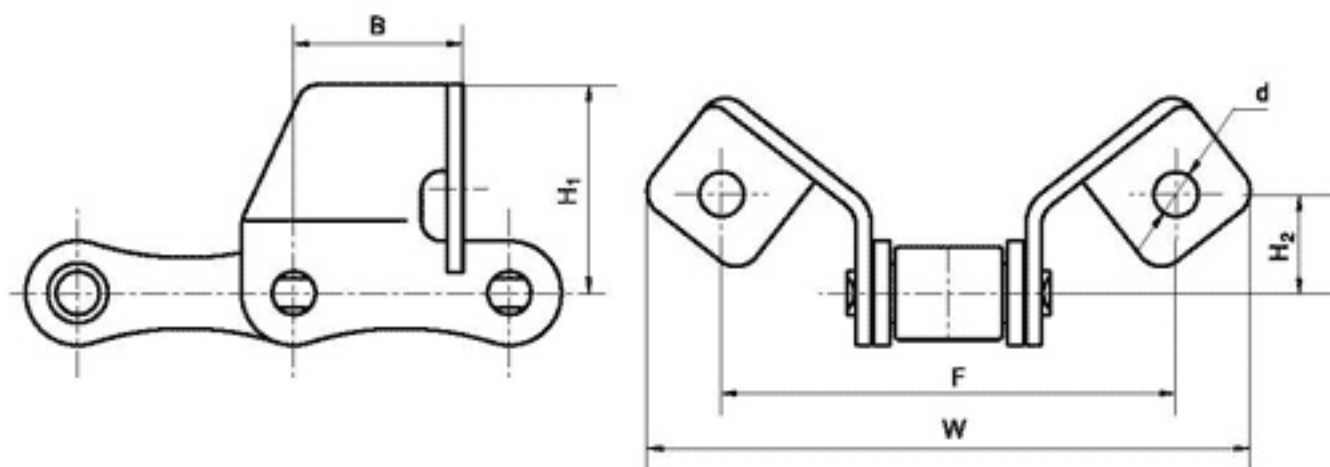
## S Series Agricultural Roller Chains-Attachments



Type	链号 Chain No.	F mm	d mm	W mm	B mm	H <sub>1</sub> mm	H <sub>2</sub> mm
F <sub>1</sub>	S52	62	8.5	82	17.5	27	17.5
F <sub>4</sub>	S45	62.4	8.5	83	25	34	22



Type	链号 Chain No.	F mm	K mm	M mm	W mm	B mm	H <sub>1</sub> mm	H <sub>2</sub> mm
F <sub>4</sub> · N <sub>3</sub>	S55V	58	10	8.33	84	31.4	39	25



Type	链号 Chain No.	F mm	d mm	B mm	H <sub>1</sub> mm	H <sub>2</sub> mm	W mm
F <sub>1</sub> · N <sub>1</sub>	S55V	87.2	8.5	32.5	39.7	19	119.5
F <sub>14</sub>	S45	62	8.5	28.6	28	16	86
nF <sub>14</sub>	S45	62	8.5	24	27	12	87