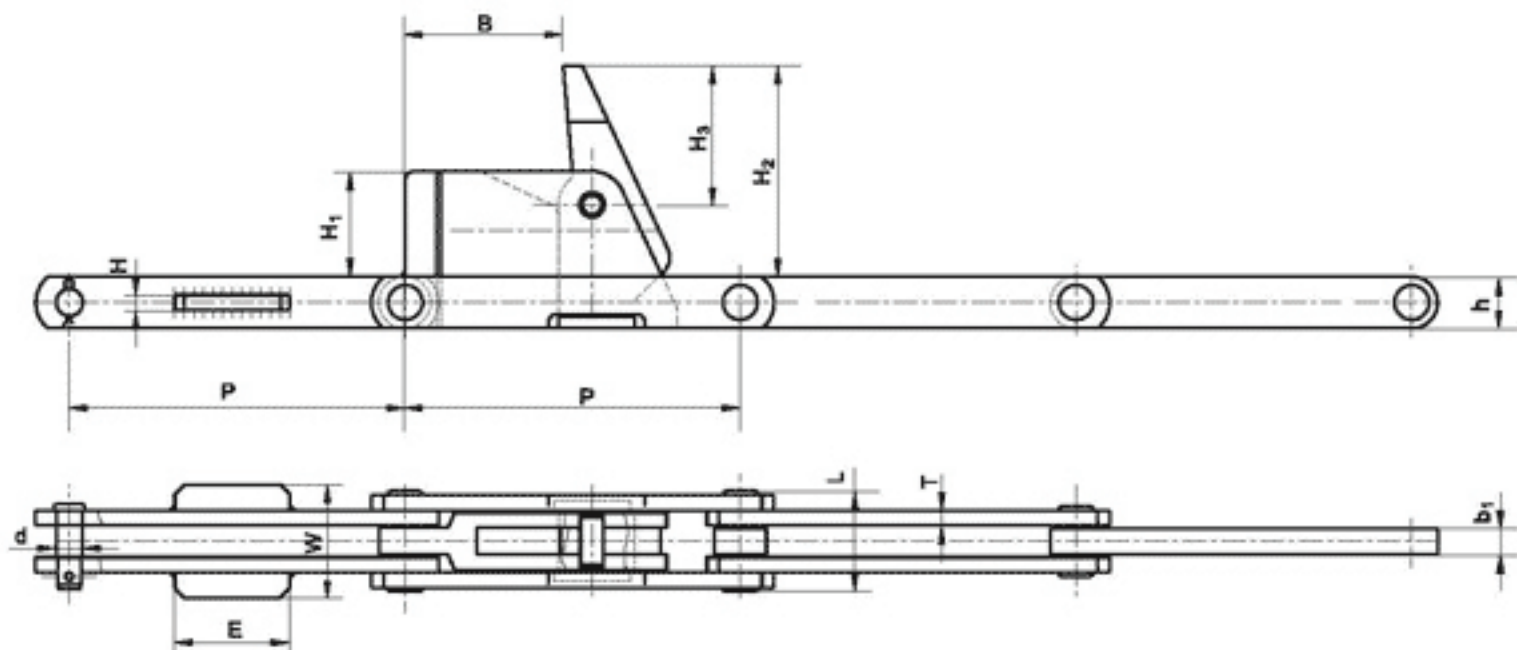
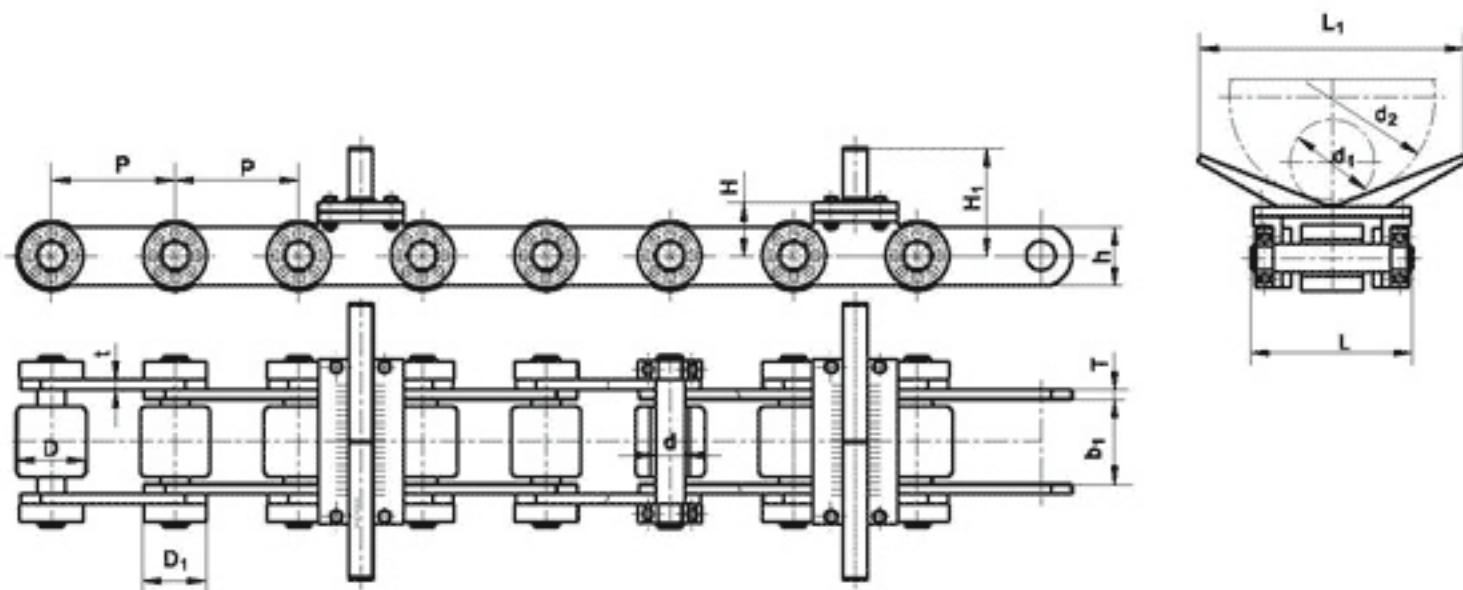


# 矿山冶金链

## Mining Metallurgy Chains



| 链号<br>Chain<br>No. | 节距<br>Pitch<br>P<br>mm | 内链板厚度<br>Sidebar<br>Thickness<br>$b_1$<br>mm | 销轴<br>Pin |         | 链板<br>Sidebar |         | 附板<br>Att. Sidebar |         |         |             |             |             | 最小抗拉强度<br>Ultimate<br>tensile<br>strength<br>$Q_{min}$<br>kN |         |
|--------------------|------------------------|--|-----------|---------|---------------|---------|--------------------|---------|---------|-------------|-------------|-------------|--|---------|
|                    |                        |  | d<br>mm   | L<br>mm | T<br>mm       | h<br>mm | E<br>mm            | W<br>mm | H<br>mm | $H_1$<br>mm | $H_2$<br>mm | $H_3$<br>mm |  | B<br>mm |
| SC350-CA           | 350                    | 30   | 27        | 74.6    | 16            | 54      | 120                | 120     | 16      | 110         | 220         | 145         | 165  | 620     |



| 链号<br>Chain<br>No. | 节距<br>Pitch<br>P<br>mm | 内节内宽<br>Width<br>between<br>sidebars<br>$b_1$ (min)<br>mm | 滚子<br>Roller |             | 销轴<br>Pin |         | 链板<br>Sidebar |         | 附板<br>Att. Sidebar |             |             |             |             | 最小抗拉强度<br>Ultimate<br>tensile<br>strength<br>$Q_{min}$<br>kN |
|--------------------|------------------------|---|--------------|-------------|-----------|---------|---------------|---------|--------------------|-------------|-------------|-------------|-------------|--|
|                    |                        |   | D<br>mm      | $D_1$<br>mm | d<br>mm   | L<br>mm | t/T<br>mm     | h<br>mm | H<br>mm            | $H_1$<br>mm | $d_1$<br>mm | $d_2$<br>mm | $L_1$<br>mm |  |
| SC101.6-V          | 101.6                  | 70  | 57.15        | 52          | 24        | 142     | 8             | 47.8    | 44                 | 89          | 73          | 177.8       | 228         | 290  |